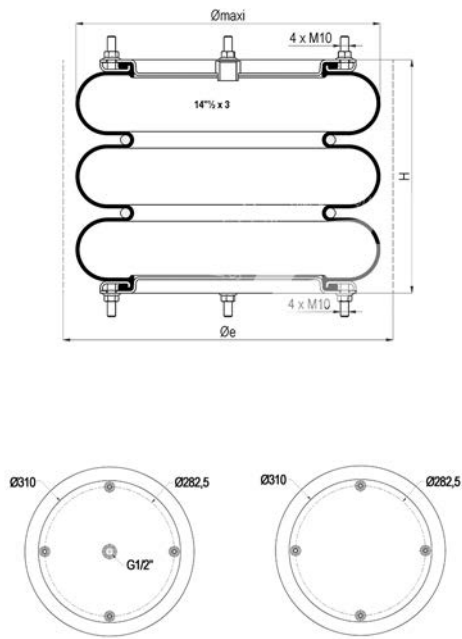


# Bellow 14" ½ x 3 reinforced Stainless steel

DB14334

INDUSTRY



## Technical characteristics

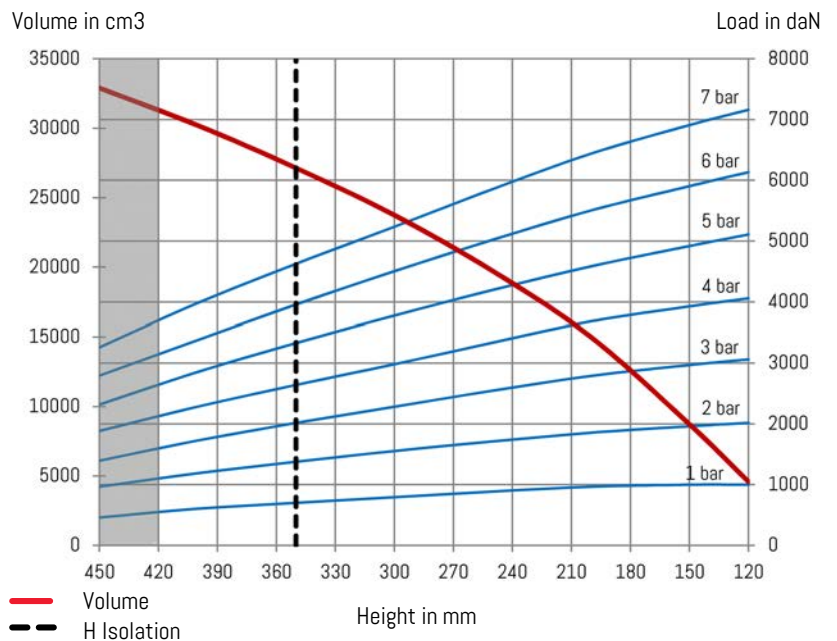
Maximum pressure	8 bar
Burst pressure	24 bar
Maximum angular capacity	15°
Maximum out of alignment	10 mm

Static diameter	368 mm
Maximum diameter	395 mm
Minimum overall diameter (Øe)	425 mm
Minimum height	120 mm
Static height (H)	280 mm
Maximum height	450 mm
Maximum recommended height	420 mm
Total stroke	330 mm
Effective area at static height	800 cm <sup>2</sup>
Stiffness at 4 bar	32 daN/mm
Natural frequency at 4 bar	1,4 Hz
Weight	11 kg

## Dynamic characteristics at H = 350mm\*

Pressure	2 bar	4 bar	6 bar
Load (daN)	1095	2220	3350
Volume (dm <sup>3</sup> )	23,8	24,0	24,2
Stiffness (daN/mm)	99	177	254
Natural frequency (Hz)	1,50	1,41	1,37
Isolation rate at 10Hz %	97,7%	98,0%	98,1%

\* Recommended height for better isolation



## Temperatures

Standard	-40°C (-50°C static)	+70°C (+90°C static)
----------	----------------------	----------------------

## References

DB14334 Bellow 3 convolutes 14" ½ x 3 4 ply reinforced Stainless steel bolted air inlet G1/2 centered

## Characteristics in static condition (daN)

Height	2 bar	3 bar	4 bar	5 bar	6 bar	7 bar	8 bar	Vol 5 bar
120	2 018	3 062	4 058	5 108	6 134	7 161		4595
150	1 961	2 969	3 926	4 918	5 904	6 909		8725
200	1 856	2 791	3 681	4 584	5 504	6 439		14986
250	1 711	2 548	3 337	4 195	5 021	5 857		19714
280	1 623	2 397	3 139	3 955	4 718	5 503		22230
300	1 554	2 283	2 982	3 775	4 504	5 235		23736
350	1 377	2 016	2 642	3 330	3 957	4 626		27135
370	1 307	1 898	2 503	3 146	3 748	4 368		28753
400	1 189	1 727	2 284	2 856	3 379	3 981		30202
420	1 102	1 584	2 116	2 646	3 157	3 680		31374
450	967	1 394	1 884	2 319	2 796	3 259		32898

## Mounting instructions

Fastening torque M10 x 1,5 : 20 to 28 Nm

Indicative value of force to reach the minimum height at atmospheric pressure is 85 daN.