

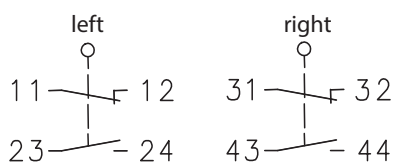
Metal bodied limit switch

Series M

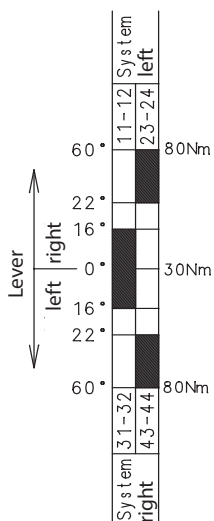
Description **M-U1Z/U1Z AV**

Article number **6174735001**

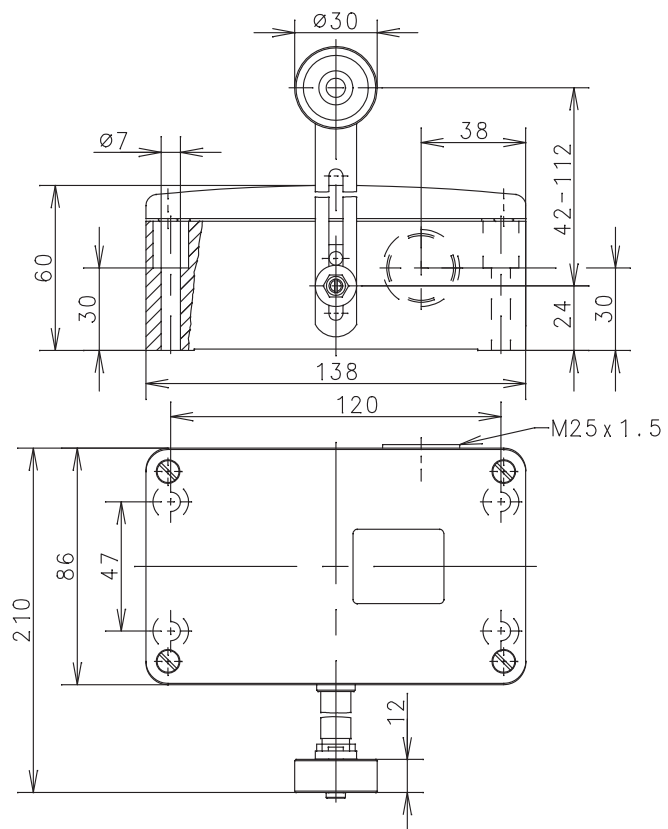
Operating symbol



Operating diagram



On
 Off
 Tolerance:
 Operating point $\pm 3^\circ$
 Actuating torque $\pm 10\%$



Electrical Data

Rated insulation voltage	U_i	400 V AC
Conv. thermal current	I_{the}	10 A
Rated operational voltage	U_e	240 V
Utilization category		AC-15, U_e/I_e 240 V / 3 A
Short-circuit protective device		Fuse 10 A gG
Protection class		I

Mechanical data	
Enclosure	AL-sand casting
Cover	AL-sand casting
Actuator	Lever (St), Roller (thermoplastic)
Ambient air temperature	-30 °C bis +80 °C
Contact type	2 NC, 2 NO (Zb)
Mechanical life of the switch inserts	10 x 10 ⁶ operating cycles
Switching frequency	≤ 60 / min.
Assembly	4 x M6
Connection	8 screw terminals (M3,5)
Conductor cross-sections	Solid: 0,5 ... 1,5 mm ² Litz wire with ferrules: 0,5 ... 1,5 mm ²
Cable entrance	1 x M25 x 1,5
Weight	≈ 1,4 kg
Installation position	operator definable
Protection type	IP65 acc. to IEC/EN 60529

Standards	
	VDE 0660 T100, DIN EN 60947-1, IEC 60947-1
	VDE 0660 T200, DIN EN 60947-5-1, IEC 60947-5-1

EU Conformity	
	acc. to directive 2006/95/EC

Notes	
The degree of protection specified (IP code) applies only to a properly closed cover and the use of an equivalent cable gland with adequate cable.	