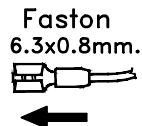
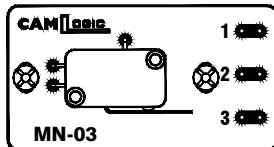
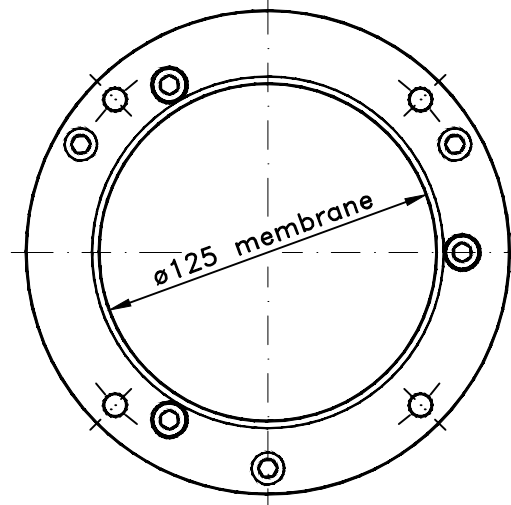


### WIRING



- 1 N.O. contact
- 2 Common
- 3 N.C. contact



CONSTRUCTION : Die-cast aluminium casing UNI5076 IP65 PROTECTION

WEIGHT : 1.300 Kg Ambient temperature range -10 to +70 °C

USE : 1 exchange contact N.O. - N.C. 10A 250V

FITTING : Vertical or with maximum inclination of 45°

VERSIONS : MN-03 with membrane in rubber

MN-03S with viton membrane - max. temperature 100 °C

MEMBRANE TENSION REGULABLE THROUGH AN ADJUSTABLE SCREW AND A PRESSURE SPRING

DOUBLE 1/2" GAS CABLE ENTRY POSITIONED ON THE RIGHT SIDE

WIRING WITH ANTIVIBRATIONS CABLE TERMINALS (FASTON)