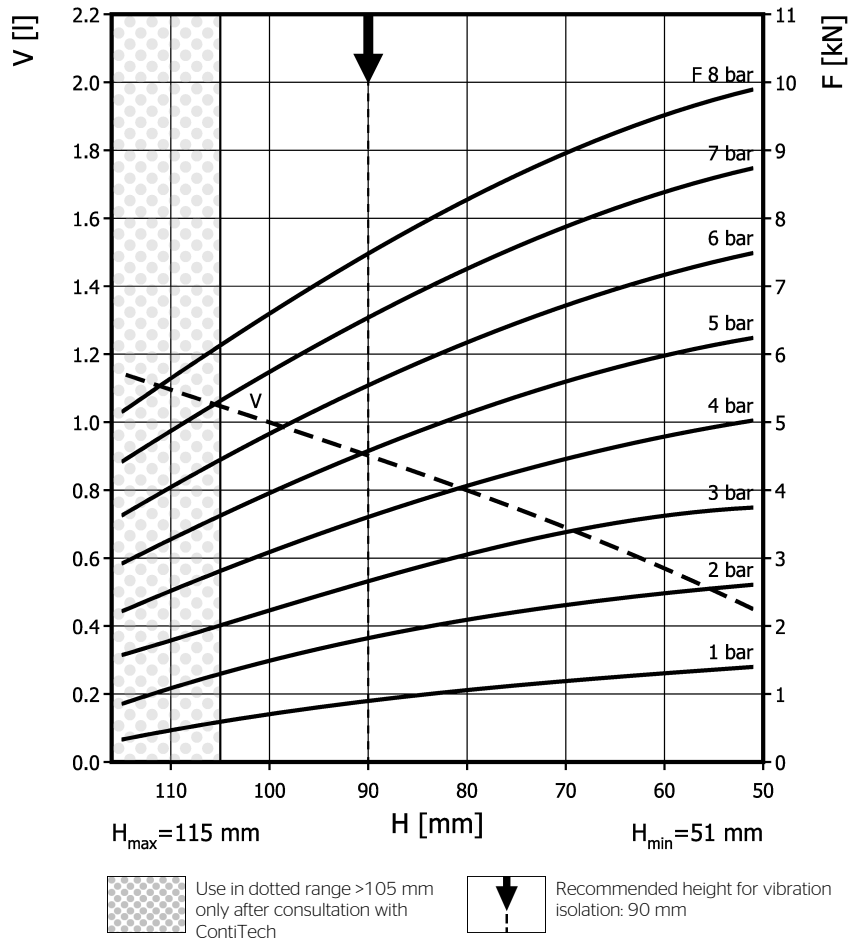
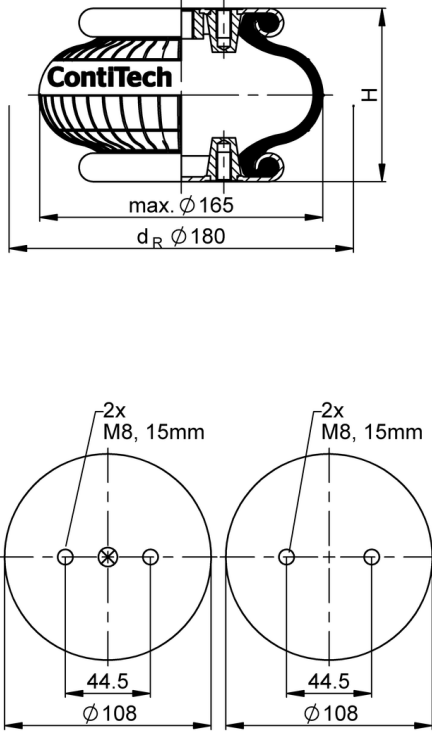


FS 70-7 CI

Single Convolution Air Actuator



Purchase order data

Type	Order No.
rubber bellows only	77841
with crimped plates, G1/4 air inlet A = 0 mm excentrical	2681015000
with stainless steel crimped plates, G1/4 air inlet A = 0 mm excentrical	61746

Additional types on request

Technical data

Min. pressure	0 bar
Return force to min height	≤ 200 N
Overall weight	1.2 kg

Vibration isolation - dynamic characteristic values

Design height H : recommended 90mm, minimum 70mm

Pressure p [bar]	3	4	5	6	7	8	Vol. V [l]
Force (Load) [kN]	2.7	3.7	4.7	5.7	6.6	7.7	0.9
Spring rate [N/mm]	104	127	153	177	206	232.5	
Natural frequency [Hz]	3.1	2.9	2.9	2.8	2.8	2.7	

Pneumatic application - static characteristic values

Force F [kN]

Pressure p [bar]	3	4	5	6	7	8	Vol. V [l]	
Height H [mm]	100	2.23	3.09	3.96	4.82	5.74	6.58	1
	90	2.66	3.61	4.57	5.55	6.54	7.5	0.9
	80	3.05	4.06	5.12	6.17	7.25	8.28	0.8
	70	3.38	4.45	5.59	6.7	7.87	8.95	0.69
	60	3.63	4.8	6	7.19	8.4	9.51	0.57



Service instructions
M8: max. 25 Nm
G1/4: max. 25 Nm

Measuring procedure: Room temperature / Force-height-data quasistatic / Dynamic data at 1 Hz