



Hinges > 4-161

[Products](#) [Solutions](#) [Company](#) [News](#) [Services](#) [Contact](#)

Region: US ▼

US

Search ...



Wish list (0)

Find matching products

Innovations	Material	Surface	Opening angle	Installation type	Series	Further options
Quarter-Turns	PA (10)	black (40)	110° (0)	screw-on (14)	Pr01 (255)	IP protected (79)
Swinghandles	stainless	chrome plated (0)	120° (0)	screw- / weld-on (3)	Pr01/Pr04 (2)	Grounding (3)
Multi-point latches	steel (2)	plated (0)	125° (0)	Tool-less (110)	Pr02 (0)	Torque hinge (12)
Latches	steel (5)	mat brass (0)	130° (0)	Tool-less / screw-on (146)	Pr03 (0)	
Locks	steel	mat chrome plated (0)	160° (10)	weld-on (0)	Pr04 (29)	
Fasteners	tempared (0)	polished (0)	180° (33)		Pr05 (11)	
► Hinges	zinc die (374)	mat	200° (0)			
Gaskets	zinc	stainless steel (0)	270° (33)			
Cable Management	die/steel (10)	untreated (0)	360° (4)			
Cover Supports and Cover Stays		zinc plated (0)	90° (0)			
Window						
Drawing pocket						
Handles						

Reset filter

Page display Detailed view Overview 16 48 96 Per page

1 ... 6 7 8 ... 83

4-161 Hinge Pr05 180°

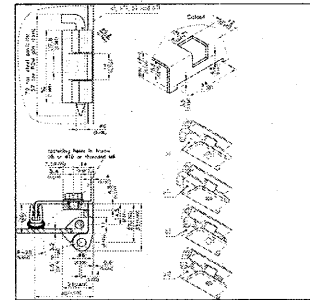
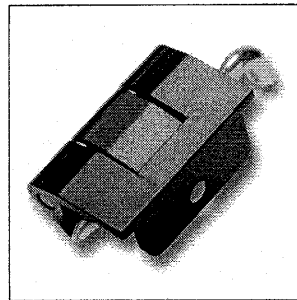
for adjacent cabinets, door bending 20mm, for surface mounted door

Benefits:

- 180° Hinge for surface mounted door. RH or LH application.
- 180° Opening angle.

Material:

- Frame-part and door-part:** zinc die, chrome plated or black
- Washer:** brass, nickel plated
- Pin:** steel, zinc plated or POM, natural



overview as pdf

Hinge, zinc die, black

Requires 9.

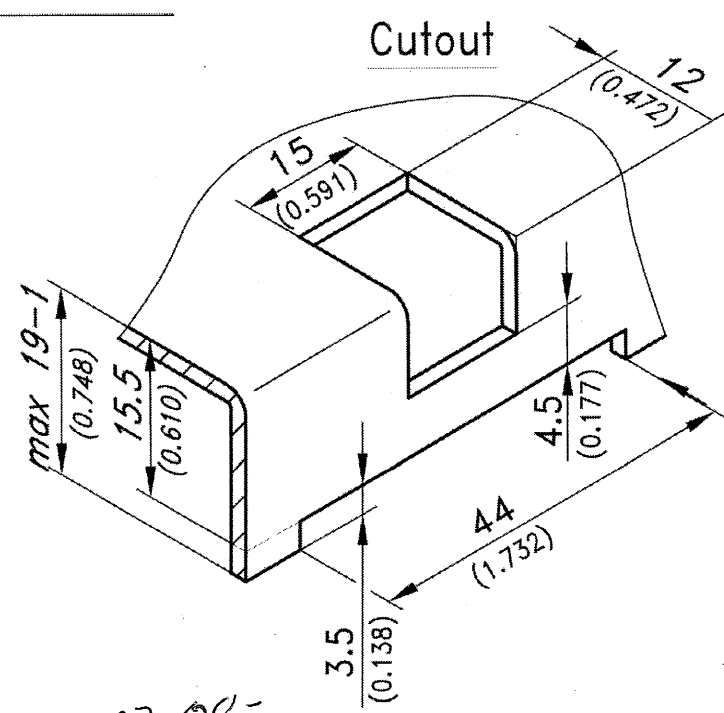
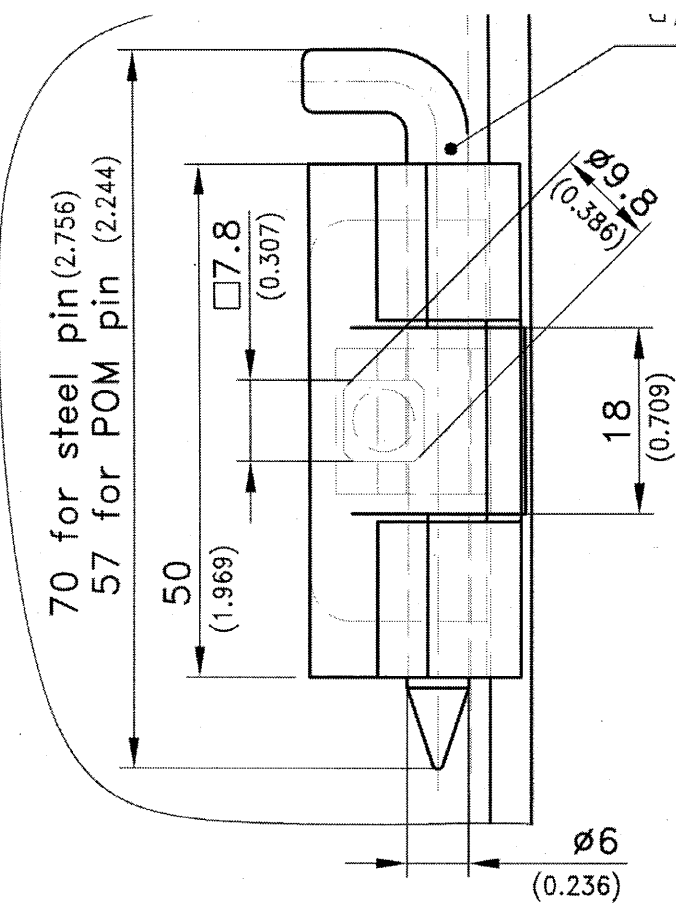
	Part Number	Door thickness	Version	Material Pin	Installation type
<input type="checkbox"/> <input type="checkbox"/> <input type="checkbox"/> a)	212-9027.00-00000	1,5 - 2,0 mm	with M5 threaded stubs and pin	steel, zinc plated	screw-on
<input type="checkbox"/> <input type="checkbox"/> <input type="checkbox"/> a1)	212-9028.00-00000	1,5 - 2,0 mm	with hole for 6mm	steel, zinc plated	screw-on
<input type="checkbox"/> <input type="checkbox"/> <input type="checkbox"/> b)	212-9035.00-00000	1,5 - 2,0 mm	with threaded stubs M6+pin	POM	screw-on
<input type="checkbox"/> <input type="checkbox"/> <input type="checkbox"/> b1)	212-9036.00-00000	1,5 - 2,0 mm	with hole for 6mm+pin	POM	screw-on
<input type="checkbox"/> <input type="checkbox"/> <input type="checkbox"/> a)	212-9527.00-00000	2,5 - 3,2 mm	with M5 threaded stubs and pin	steel, zinc plated	screw-on
<input type="checkbox"/> <input type="checkbox"/> <input type="checkbox"/> a1)	212-9528.00-00000	2,5 - 3,2 mm	with hole for 6mm	steel, zinc plated	screw-on
<input type="checkbox"/> <input type="checkbox"/> <input type="checkbox"/> b)	212-9535.00-00000	2,5 - 3,2 mm	with threaded stubs M6+pin	POM	screw-on
<input type="checkbox"/> <input type="checkbox"/> <input type="checkbox"/> b1)	212-9536.00-00000	2,5 - 3,2 mm	with hole for 6mm+pin	POM	screw-on

Deselect To wish list Download as PDF

	Part Number	Door thickness	Version	Material Pin	Installation type
<input type="checkbox"/> <input type="checkbox"/> <input type="checkbox"/> a1)	212-9026.00-00000	1,5 - 2,0 mm	with hole for 6mm	steel, zinc plated	screw-on

Deselect To wish list Download as PDF

Complementary Products:



212-9027-00-00000.
 9 REQUIRED.
 PRICE AND AVAILABILITY.

fastening holes in frame
 □8 or Ø10 or threaded M6

