

## 2GDS25 133x190R P/N Y43-06

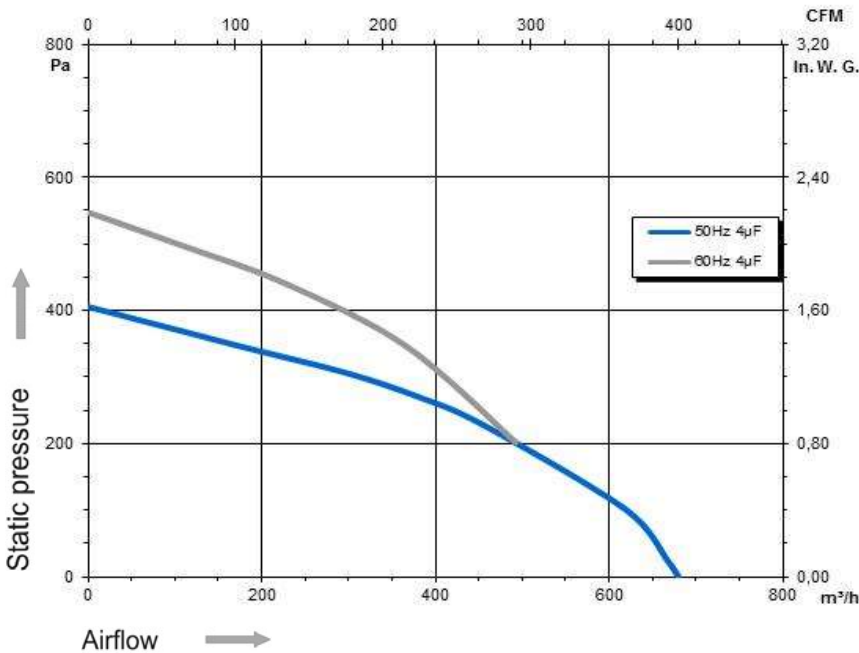
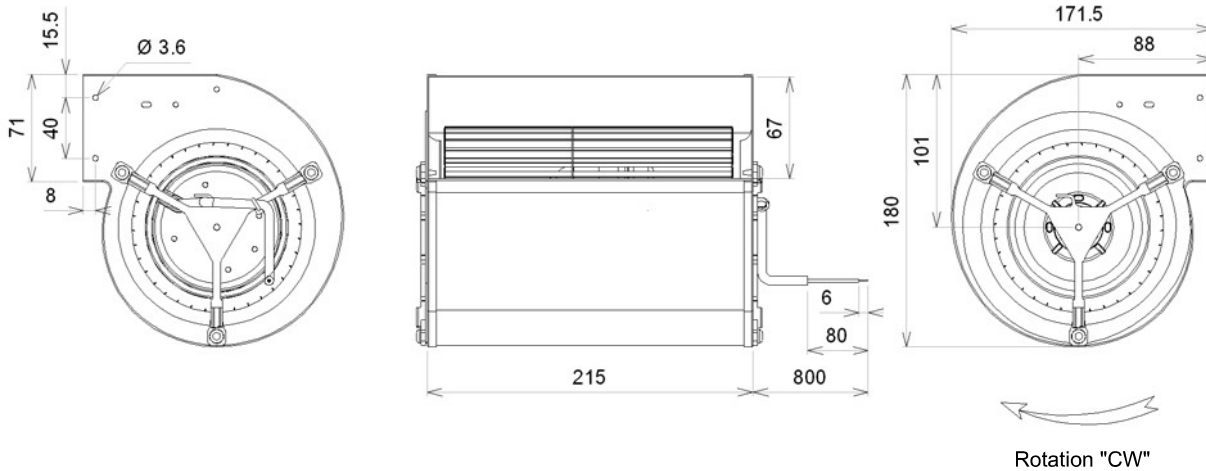
Substitute for Q07-28

Voltage	Frequency	Input power	Current	Capacitor	Airflow	Speed rotation	Noise level	Rotation direction	Operating temperature	ErP 2013	ErP 2015
V	Hz	Wa	A	µF	m³/h	RPM	dBA	↻	Min / Max		
230	50	210	0,92	4,0	680	1 350	61	R	-20°C / +40°C	NA	NA
230	60	204	0,89	4,0	545	1 900	58	R	-20°C / +50°C		
230	50				400 CFM				-4°F / +104°F		
230	50				320 CFM				-4°F / +122°F		



dBa : free let out

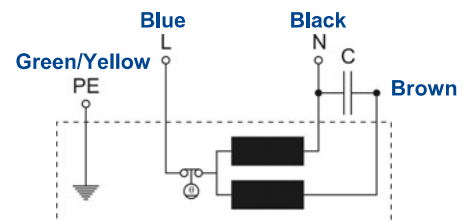
NA : Not Applicable



- Weight : 3,4 Kg
- Ball bearing
- Class F, thermally protected
- IP44 protection depending on installation and position as per EN60034-5
- G2.5 balancing
- Scroll housing : black paint
- Galvanized steel impeller



Capacitor for 50Hz	Capacitor for 60Hz	Finger guard	Connector
19019	19019	21236	09145



Non contractual document. All specifications are subject to change without prior notice. Picture for information only.