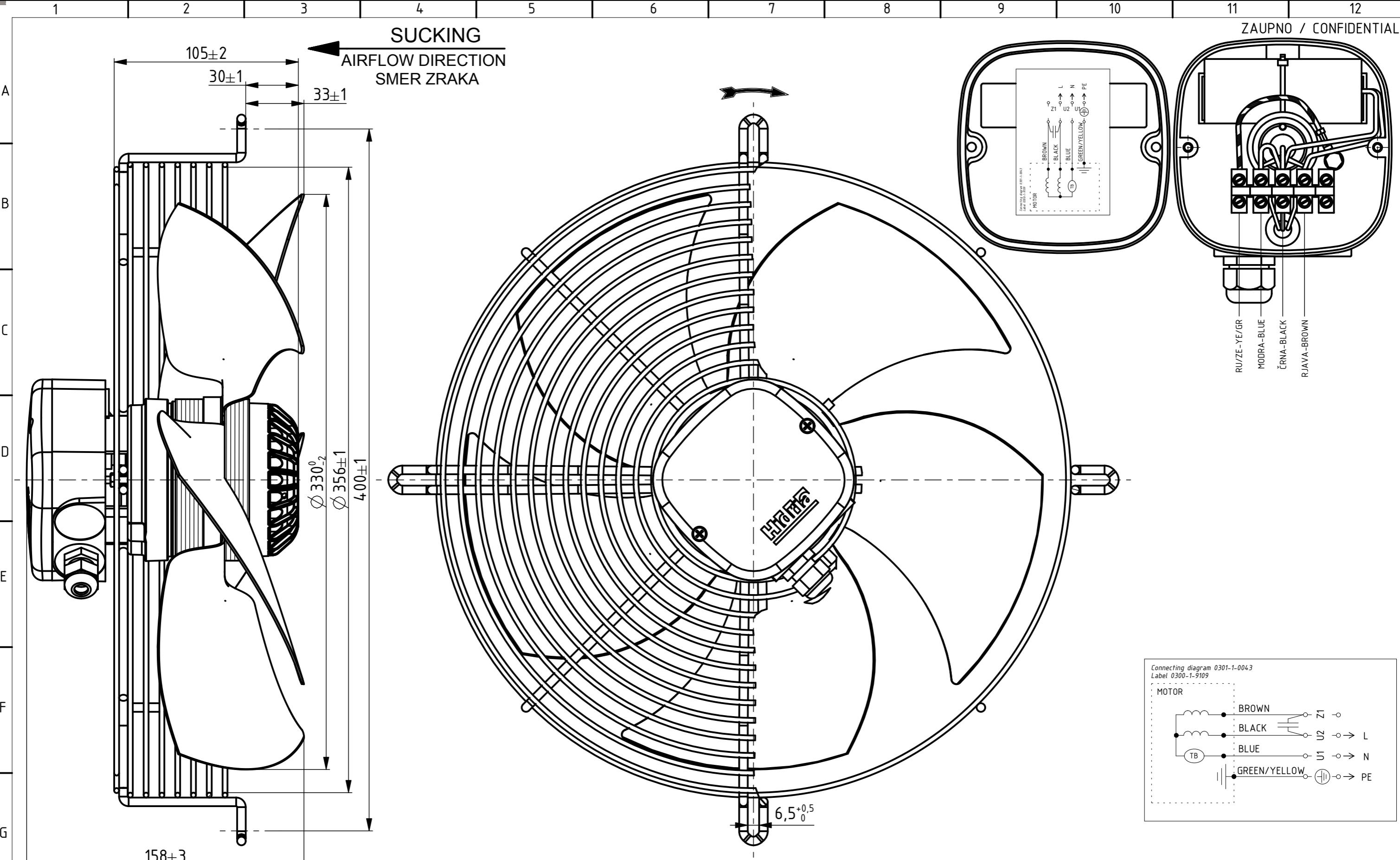
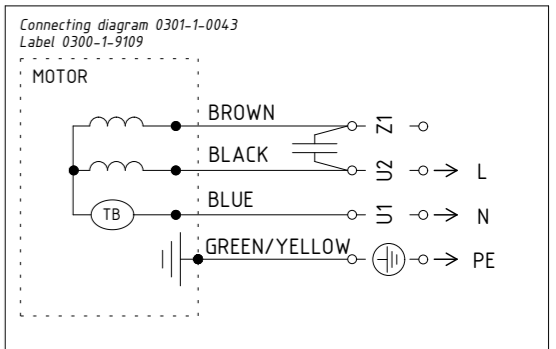


All drawings, regardless of form, are owned by Hidria Rotomatika d.o.o. and are strictly confidential and present copyright. Intellectual Property Rights as follows rights under the laws of patents, petty patents, design patents and registered designs, copyrights, trade secret rights, and similar exclusive rights in industrial property connected with the drawings are reserved by Hidria Rotomatika d.o.o.. Disclosure to any third party is strictly forbidden.



ZAUPNO / CONFIDENTIAL



Navodilo za kontrolo ventilatorja 0301-1-4858
 Fan checking instruction 0301-1-4858

HTMP MADE IN SLOVENIA	CE	DATE
R09R-3330HA-4M-4259		0309-4-1127
1~230V 50/60Hz 120/150W 0,55/0,67A 1350/1510RPM		
MAX.AMB.70/70° C IP54 INS.CL.155 C=4µF/450V		
TH.PROT. ROT. ←		

AA	AA	1. izdaja; Risba v Windchillu je skladna z risbo v arhivu.	23.06.14	Samuel B.
Verzija Artika: Article revision:	Verzija risbe: DRW/Revision:	Opis spremembe: Description of change:	Datum: Date:	Izdajatelj: Product:
KONSTRUIRAL / DRN:	23.06.2014	Uroš Kunc	VENTILATOR R09R-3330HA-4M-4259	
ODDOBIL / APP:	24.06.2014	Samuel Borovinšek		
Potrjeno/Approved 		POVRŠINSKA OBD. SURFACE TEXTURE	KODA: CODE:	
		MATERIAL	0309-4-1127 0309-4-1127	
		KODA MATERIALA MATERIAL CODE	VERZIJA ARTIKLA: REVISION ARTICLE:	
		MASA: MASS:	AA	
		NETOL. MERE/UNTOL DIM. ISO 2768-m	VERZIJA RISBE: DRW REVISION:	
		MERIL/FORMAT 1:2/A3	AA.1	
		DZJ	LIST/SHEET: 1/1	