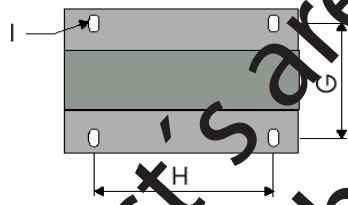
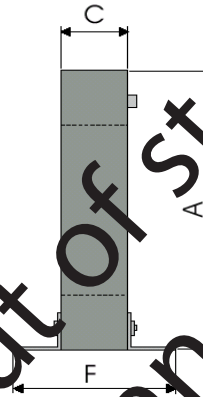
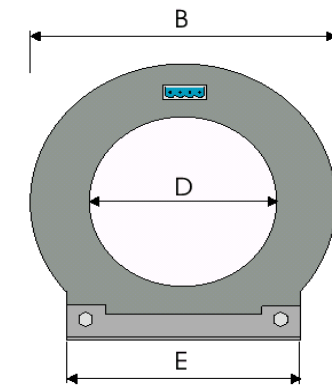


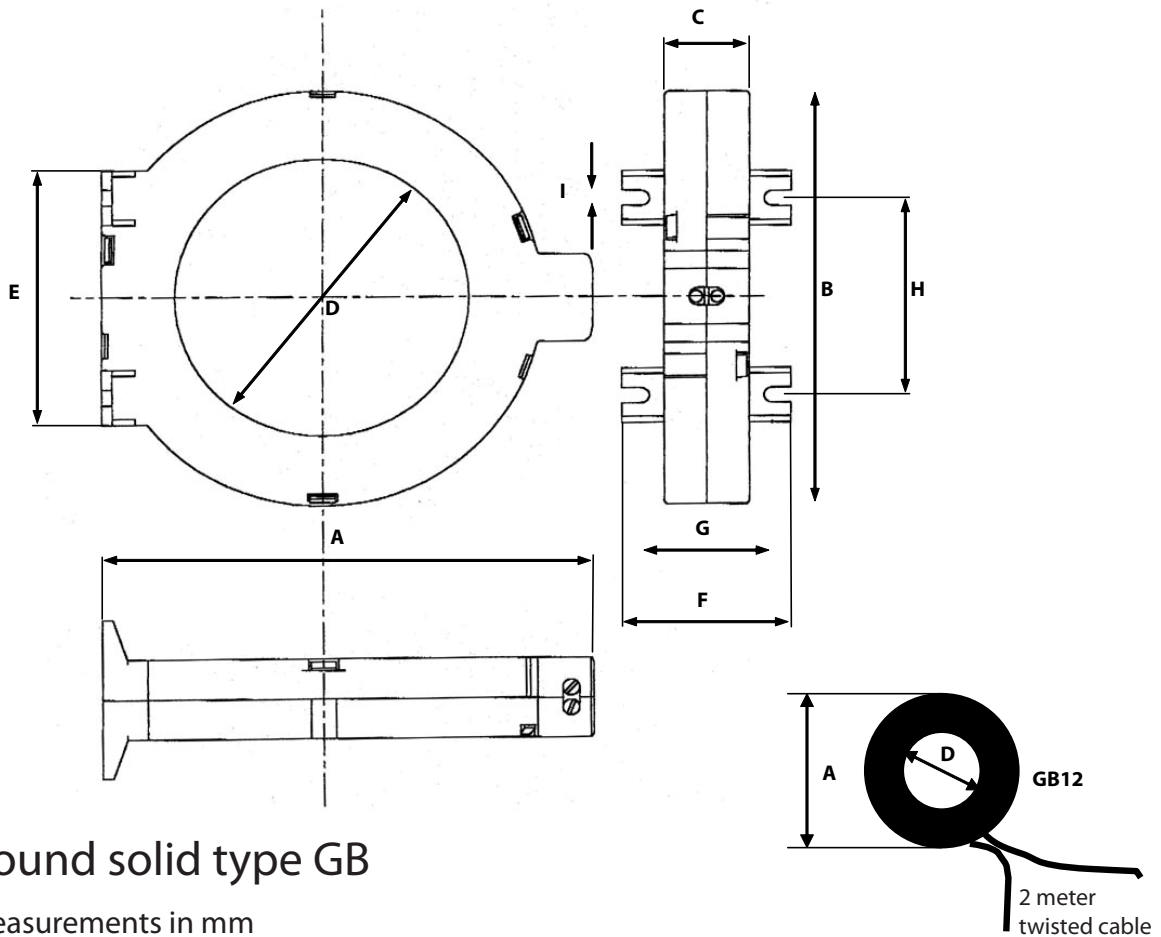
Residual current transformers for Megacon Earth Fault Monitoring Systems



Round solid type G
Measurements in mm

Name	Art.no.	A	B	C	D	E	F	G	H	I
G23	601010	55	52	15	23	52	31		22	4x8
G31	601011	63	59	15	31	59	31		30	4x8
G45	601002	70	70	25	45	70	37		40	4x8
G95	601003	147	142	25	95	120	69	50	90	6x12

Residual current transformers for Megacon Earth Fault Monitoring Systems



Round solid type GB

Measurements in mm

Name	Art.no.	A	B	C	D	E	F	G	H	I
GB12	601299	∅ 33		12	12					
GB35	601302	74	64	20	35	64	40	31	50	4
GB50	601305	98	87	20	50	64	40	31	50	4
GB70	601303	117	105	20	70	64	40	31	50	4
GB120	601304	170	155	20	120	94	40	31	80	4
GB160	601307	255	240	33	160	150	90*	80*	130*	15*
GB210	601306	304	290	33	210	150	90*	80*	130*	15*

*Measurement including metal sockets for GB160 and GB210