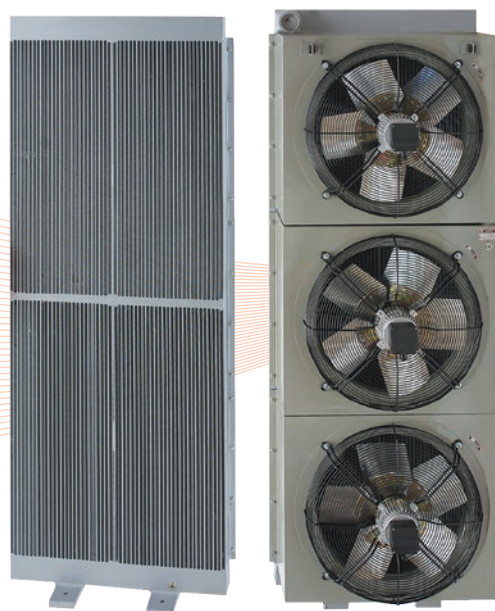


AP 3/830 EB

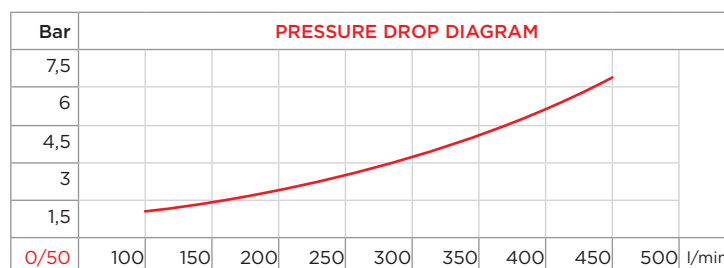
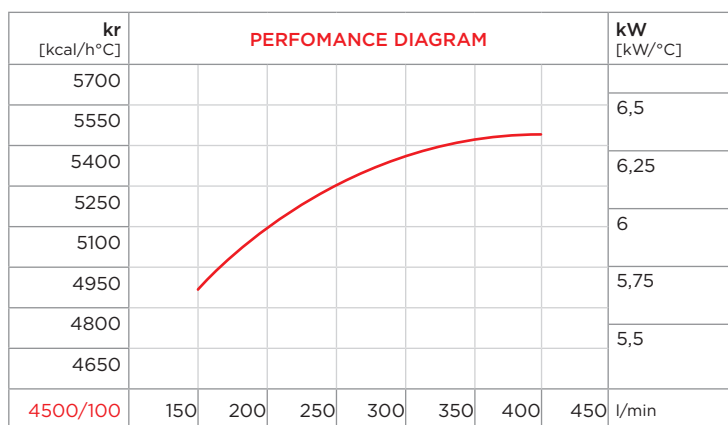


PURCHASE CODES

AP 3/830 EB three-phase **3RE091278**

SPARE PARTS

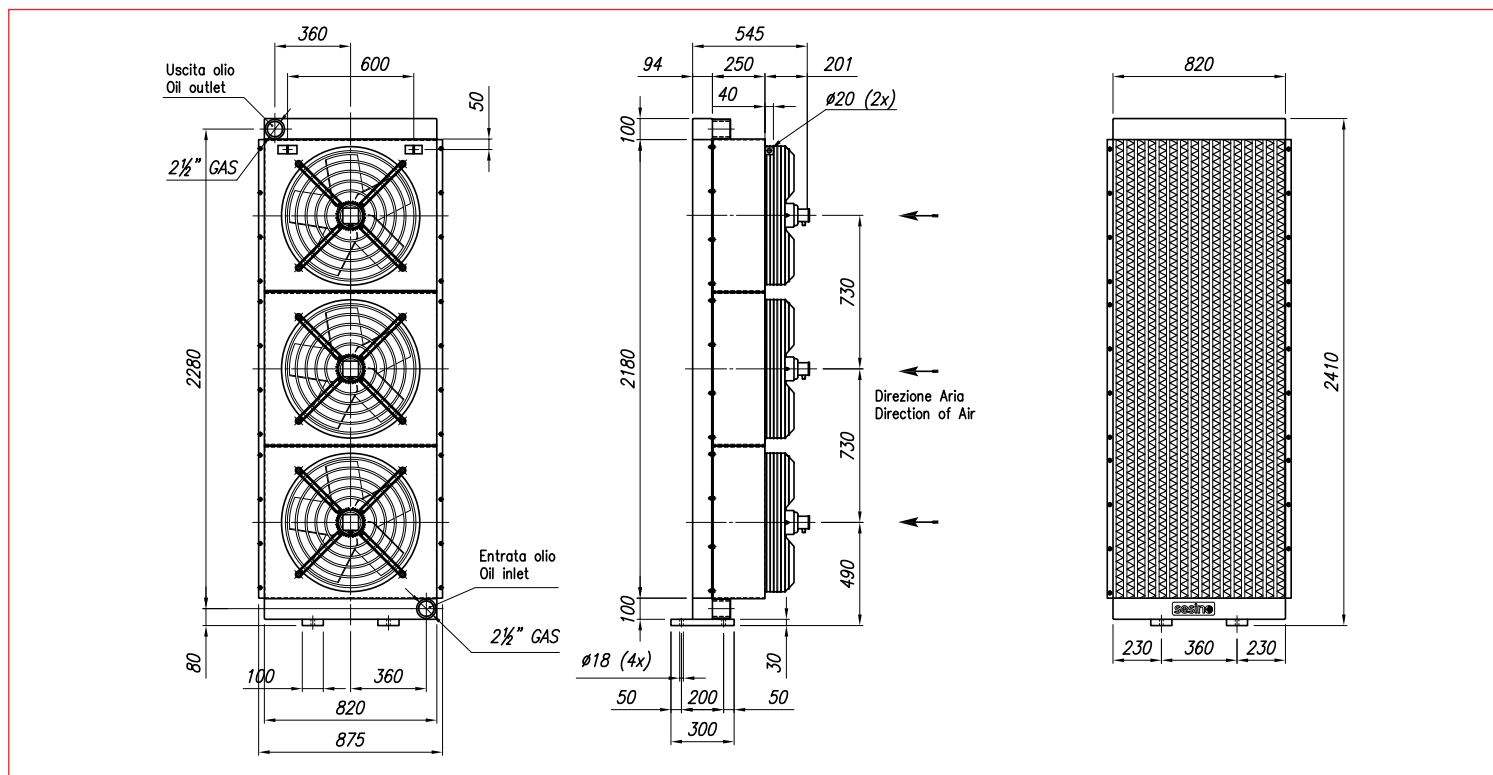
Frame	3CNE091247.1 3CNE091278.1
Cooling element	3RNE091278
Electric fan	1VNA4D560DV



CORRECTION FACTOR

cSt	22	30	46	68	100	150	220
f	0,6	1	1,5	2,3	3,5	5	7

- Dimensions and technical characteristics are not binding



OIL FLOW	CAPACITY	VOLTAGE	FREQUENCY	POWER	CURRENT	AIR FLOW	PROTECTION	NOISE LEVEL	WEIGHT	Ø FAN
l/min	l	V	hz	W	A	m³/h	IP	dB(A)	kg	mm
150-400	60	400	50	3x 810	3x 1,54	3x 9.500	54	78	260	560
150-400	60	480	60	3x 1300	3x 1,94	3x 11.500	54	78	260	560