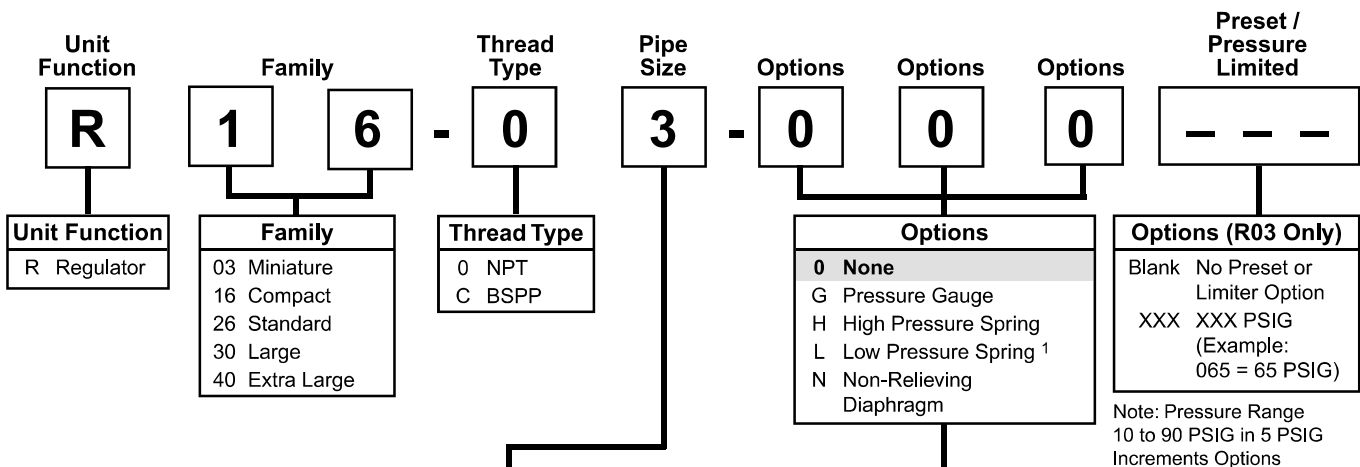


# Regulator Numbering System

   = "Most Popular"



Unit Function
R Regulator

Family
03 Miniature
16 Compact
26 Standard
30 Large
40 Extra Large

Thread Type
0 NPT
C BSPP

Options
<b>0 None</b>
G Pressure Gauge
H High Pressure Spring
L Low Pressure Spring <sup>1</sup>
N Non-Relieving Diaphragm

Options (R03 Only)
Blank No Preset or Limiter Option
XXX XXX PSIG (Example: 065 = 65 PSIG)

Note: Pressure Range 10 to 90 PSIG in 5 PSIG Increments Options

Code	Pipe Size	Series				
		03	16	26	30	40
1	1/8"	X				
2	1/4"	X	X	X		
3	3/8"		X	X		
4	1/2"		X	X		
6	3/4"				X	
8	1"				X	
B	1-1/2"					X
C	2"					X

Options (R03 Only)
<b>0 Standard, 2 to 125 PSI, Relieving</b>
G** Pressure Gauge
J*† Preset, Adjustable
K*† Preset, Non-Adj. / Epoxy
L 1 to 60 PSI, Relieving
M Panel Nut Included
N 2 to 125 PSI, Non-Relieving
P 1 to 30 PSI, Relieving
Q 1 to 15 PSI, Relieving
R*† Pressure Limiter
S 1 to 60 PSI, Non-Relieving
T 1 to 30 PSI, Non-Relieving
U 1 to 15 PSI, Non-Relieving

- \* Inlet pressure is 100 PSIG. For other pressures, consult factory.
- \*\* Not available with BSPP thread type.
- † Must specify preset or limited pressure.

Spring Type by Preset / Limited Pressure:  
 For Preset / Limited Pressure 10 to 25 use 30 PSI Spring  
 For Preset / Limited Pressure 26 to 50 use 60 PSI Spring  
 For Preset / Limited Pressure 51 to 90 use 125 PSI Spring

**If more than one option is desired, arrange them in alphabetical order in positions 6, 7, and 8.**

<sup>1</sup> Not available on R30.

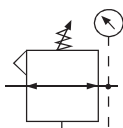
**B**  
Filters, Regulators, Lubricators

# Regulator R40

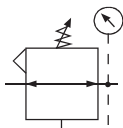
= "Most Popular"

**B**

Filters, Regulators, Lubricators



Relieving



Non-Relieving



**R40-0B-000**

## Features

- Balanced Valve Design
- Standard Self-Relieving
- Two 1/4 NPT / BSPT-Rc Gauge Ports Standard – Can Be Used for Additional Outlet Ports
- Piston Operated
- High Flow Capacity

## Specifications

Flow Capacity*	1-1/2, 2	1200 SCFM (566 dm <sup>3</sup> /s)
Adjusting Range Pressure	0 to 125 PSIG (0 to 8.6 bar) 0 to 180 PSIG (0 to 12.4 bar)	
Maximum Supply Pressure	300 PSIG (20.7 bar)	
Operating Temperature	32° to 150°F (0° to 65.5°C)	
Port Size	NPT / BSPP-G	1-1/2, 2
Gauge Port (2 ea.)	NPT / BSPT-Rc	1/4
Weight	lb. (kg)	10.8 (4.9)

\* Inlet pressure 100 PSIG (6.9 bar). Secondary pressure 85 PSIG (5.9 bar).

## Materials of Construction

Body	Zinc
Bonnet	Zinc
Piston	Zinc
Seals	Nitrile
Springs	Steel
Valve Assembly	Brass / Nitrile / Acetal

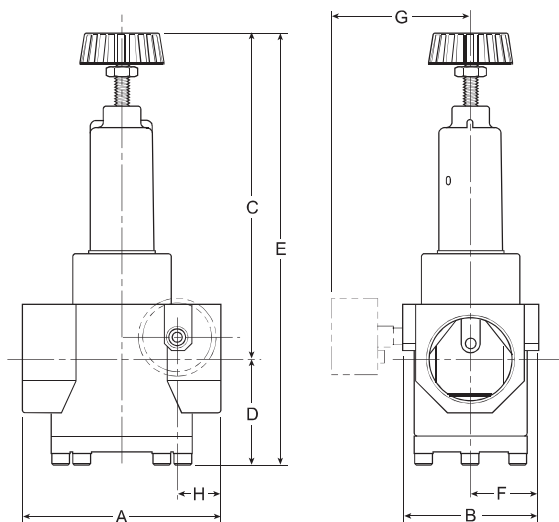
### WARNING

**Product rupture can cause serious injury.  
Do not connect regulator to bottled gas.  
Do not exceed maximum primary pressure rating.**

## CAUTION:

**REGULATOR PRESSURE ADJUSTMENT** – The working range of knob adjustment is designed to permit outlet pressures within their full range. Pressure adjustment beyond this range is also possible because the knob is not a limiting device. This is a common characteristic of most industrial regulators, and limiting devices may be obtained only by special design.

For best performance, regulated pressure should always be set by increasing the pressure up to the desired setting.



## Dimensions

Models	Inches (mm)	A	B	C	D	E	F	G	H
Standard Unit R40-XX-000		5.30 (135)	3.63 (92)	9.05 (230)	2.83 (72)	11.88 (302)	1.82 (43)	—	1.15 (29.2)
With Gauge (order separately) R40-XX-XXX		5.30 (135)	3.63 (92)	9.05 (230)	2.83 (72)	11.88 (302)	1.82 (43)	4.02 (102)	1.15 (29.2)

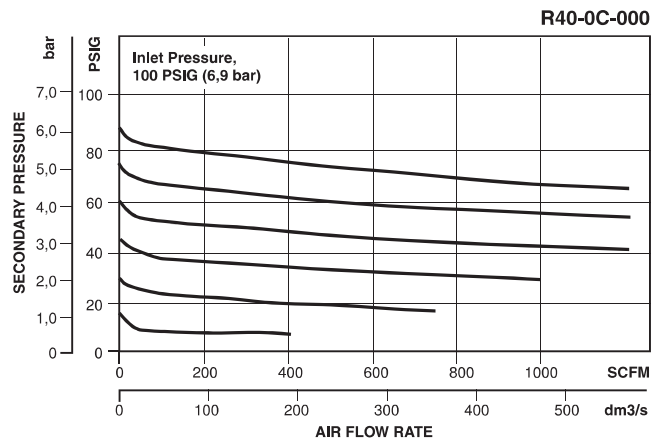
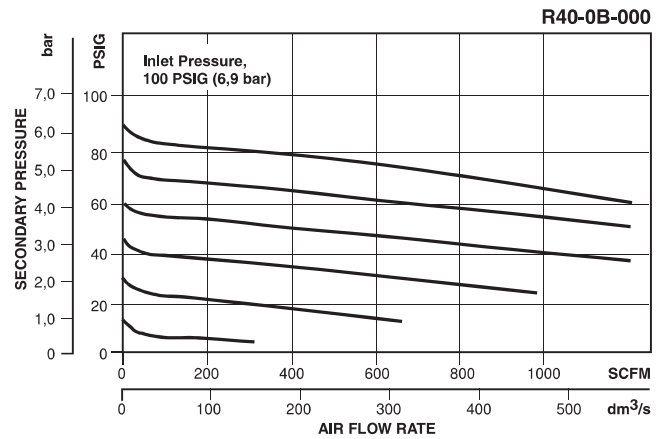
**Replacement Kits**

- Piston Assembly –
  - Non-relieving ..... RRP-95-451
  - Relieving ..... RRP-95-964
- Spring, Regulating –
  - 0 to 125 PSIG (0 to 8.6 bar) ..... RRP-95-226
  - 0 to 180 PSIG (0 to 12.4 bar) ..... RRP-95-220
- Spring, Valve ..... RRP-95-024
- Valve Assembly (Non-relieving) –
  - Valve, Valve Spring ..... RRP-95-162
- Valve Assembly (Self-relieving) –
  - Valve, Valve Spring, Ret. Ring, O-rings ..... RRP-95-161

**Accessories**

- Gauge, Pressure –
  - 0 to 160 PSIG (0 to 11 bar), 2" Dial Face, 1/4" NPT, CBM ..... K4520N14160
  - 0 to 300 PSIG (0 to 20 bar), 2" Dial Face, 1/4" NPT, CBM ..... K4520N14300
  - 0 to 160 PSIG, 1-3/4" Digital Round, 1/4" NPT ..... K4517N14160D
- Wall Mounting Bracket, Gauge Port Adapter, 1/4" NPT ..... RRP-95-590

= "Most Popular"



**B**

Filters, Regulators, Lubricators

**Ordering Information**

Model Type	Port Size	Without Gauge 10 to 125 PSIG (0.7 to 8.6 bar)	High Pressure 10 to 180 PSIG (0.7 to 12.4 bar)
Relieving	1-1/2	R40-0B-000	R40-0B-H00
	2	R40-0C-000	R40-0C-H00
Non-relieving	1-1/2	R40-0B-N00	R40-0B-HN0
	2	R40-0C-N00	R40-0C-HN0

Options - To order an option supplied with the unit model, add the appropriate coded suffix letter in the designated position of the model number.